

Straight ferrite squib connector

Ø 11mm FCI interface, straight, Sub 5

Part-no.: CA 291B XXXX XXXX

Mating design:

- serviceable, reversed locking leg
- one step mating
- Integral CPA

Terminal system:

- one piece design
- selective gold plated
- two contact points

Termination technology:

- crimp wire

General:

- 10MHz-1.5GHz RFI/EMI protection
- supplied with different cable lengths
- single wire
- twisted wire
- jacket cable



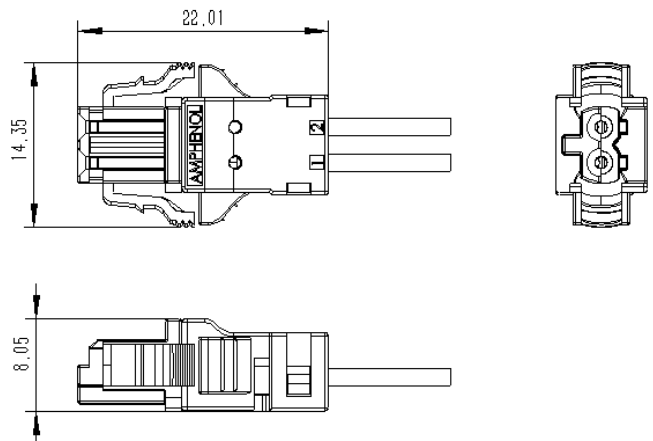
Construction:

- housing material: PBT
- contact material: CuSn
- accepted wire range: AWG 22 – AWG 20
FLRY0.35~0.5mm²
- RFI/EMI protection: multi material ferrite

Performance characteristics:

- pull out force: > 135N
- insertion force: < 40N
- temperature range: -40°C to +90°C
- dielectric resistance: 1000V / DC

Dimensional characteristics:



Connector interface:

- Ø11mm FCI
- Code A (Black)
B (Purple)
C (Yellow)